

### Specifications

Model	GTH™-5519	
Measurements	US	Metric
Maximum lift height	19 ft	5.79 m
Maximum forward reach	11 ft	3.35 m
Reach at maximum height	1 ft 10 in	0.56 m
<b>A</b> Height, stowed	6 ft 4 in	1.93 m
<b>B</b> Length, stowed (without forks)	12 ft 7 in	3.84 m
Width	5 ft 11 in	1.80 m
<b>C</b> Wheelbase	7 ft 7 in	2.32 m
<b>D</b> Ground clearance, center	1 ft 1 in	0.33 m
<b>E</b> Ground clearance, axle	10 in	0.25 m
Fork cross section	1.6 x 4 in	40 x 100 mm

### Productivity

Maximum lift capacity	5,500 lbs	2,500 kg
Lift capacity at maximum height	4,400 lbs	1,995 kg
Lift capacity at maximum reach	1,900 lbs	862 kg
Drive speed	15 mph	24.1 km/h
Draw bar pull	9,300 lbs	4,225 kg
Break out force	8,100 lbs	3,674 kg
Turning radius, outside (4WS)	11 ft	3.35 m
Auxiliary hydraulic flow	18.5 gpm	70 lpm
Auxiliary hydraulic pressure	3,918 psi	270 bar
Tires, standard size	12 x 16.5 in, 10 ply	

### Power

Power source	Perkins 804D-33 4 cylinder diesel 63 hp (47.0 kW) Deutz D 2011 4 cylinder diesel 68 hp (50.0 kW)	
Electrical system	System voltage 12 volt Alternator 95 amp Battery 720 CCA at 0°F (-18°C)	
Hydraulic tank capacity	16.4 gal	62 L
Hydraulic system capacity (w/tank)	25 gal	95 L
Fuel tank capacity	15.9 gal	60 L

### Weight\*

	9,820 lbs	4,454 kg
--	-----------	----------

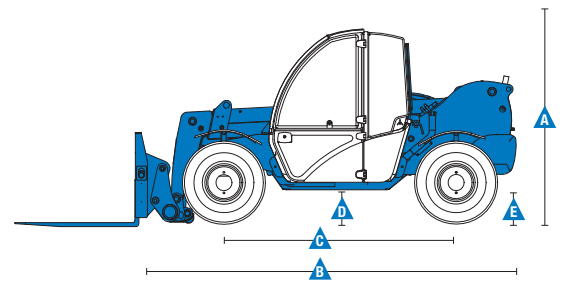
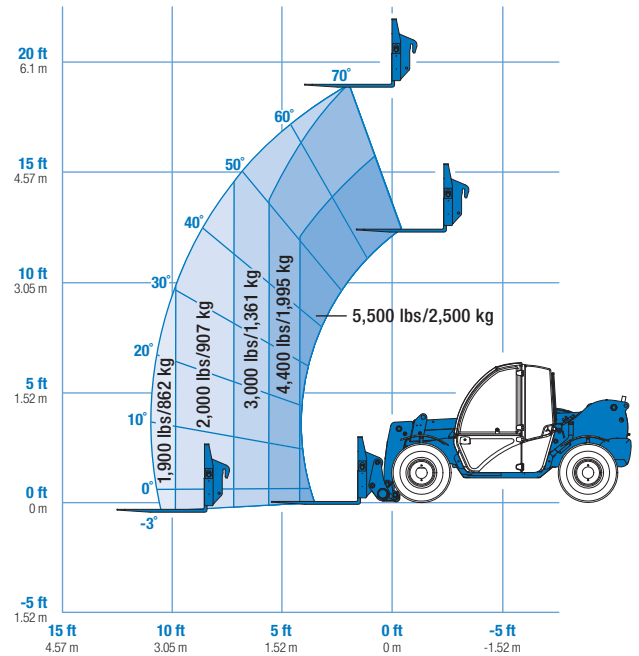
### Standards Compliance

ANSI/ITSDF B56.6, CSA B335

\* Weight will vary depending on options and/or country standards.

\*\* Load ratings vary depending on attachment.

Load Chart GTH™-5519\*\*



### Features

#### Standard Features

##### Measurements

- 5,500 lb (2,500 kg) maximum lift capacity
- 19 ft (5.79 m) maximum lift height
- 11 ft (3.35 m) maximum reach

##### Productivity

- Full time planetary 4-wheel drive
- 4WS
- Operator selectable front, crab, coordinated steering modes
- Auxiliary hydraulic circuit
- Proportional, reversible, continuous auxiliary hydraulic flow control
- Genie manual Quick-Attach™ system
- Power assisted steering
- Variable speed hydrostatic drive
- Limited slip front axle differential
- Inboard wet disc service brakes
- Wet disc spring applied parking brake
- 12 x 16.5 in, air-filled rough terrain tires
- Fenders (set of 4)
- ROPS/FOPS canopy (ISO compliant)
- Single multi-function proportional joystick
- Tilt steering column
- Illuminated gauge and switch panels
- Retractable seat belt
- Machine level indicator
- Right-side screen guard
- 48 inch carriage and pallet forks
- Boom angle indicator
- Reverse motion alarm

#### Options & Accessories

##### Productivity Options

- Enclosed cab, includes split door, emergency exit, clip-in glass inserts, front wiper and tank, cab heater
- Cab air conditioner
- Adjustable suspension seat
- 3 in retractable seat belt
- Flashing beacon
- Work lights (2 cab mounted front, 1 back-up, 2 stop/tail)
- Road lights (2 cab mounted front, 1 back-up, 2 rear stop/turn/tail, 2 front turn)
- Exhaust scrubber

##### Engine Options

- Perkins 63 hp (47 kW) diesel engine
- Deutz 68 hp (50 kW) diesel engine

##### Tire Options

- 12 x 16.5 in, semi-pneumatic solid rough terrain tires
- 12 x 16.5 in, foam-filled tires

##### Attaching System Options

- Universal skid steer adapter
- Auxiliary hydraulic back pressure
- Hydraulic quick attach

#### Options & Accessories

##### Attachment Options

- Carriages
  - 48 in (1.22 m) side shift carriage, +/- 4 in (10 cm)
  - 48 in (1.22 m) rotating fork carriage, +/- 14°
- Forks (in addition to standard 48 in pallet forks)
  - 60 in (1.52 m) forks
  - 48 in (1.22 m) forks (ITA type)
  - Cubing tines, 2 x 2 x 48 in (.05 x .05 x 1.22 m)
- Buckets
  - 66 in bucket with bolt-on cutting edge, .50/.65 yd3 struck/heaped
  - 60 in bucket with bolt-on cutting edge, .65/.75 yd3 struck/heaped
  - 78 in, .68 yd3 scrap grapple bucket
- 6 ft truss boom



#### Genie United States

18340 NE 76th Street  
P.O. Box 97030  
Redmond, Washington 98073-9730  
Telephone +1 (425) 881-1800  
Toll Free in USA/Canada +1 (800)-536-1800  
Fax +1 (425) 883-3475

#### Genie Europe

The Maltings  
Wharf Road  
Grantham NG31 6BH  
UK  
Telephone +44 (0)1476 584333  
Fax +44 (0)1476 584334  
Email: AWP-InfoEurope@terex.com

#### Distributed By: